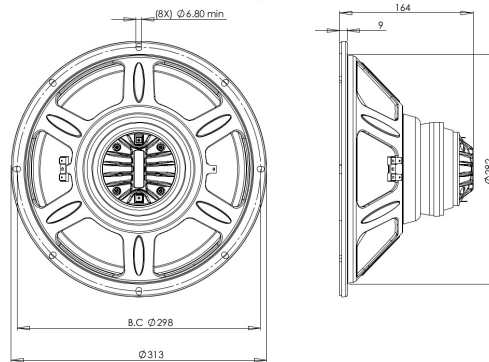


12CLX64

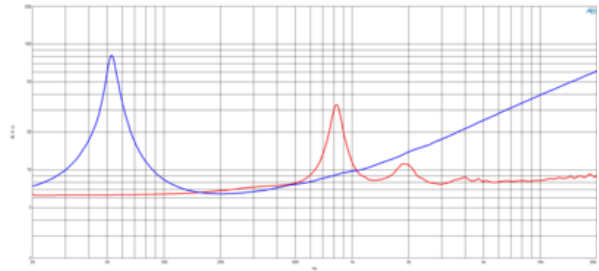
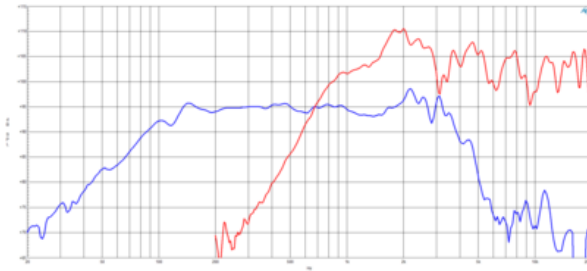
8Ω**Coaxials - 12.0 Inches**

- 500 W continuous program power capacity
- 60° nominal coverage
- 54 - 18000 Hz response
- 96.2 dB sensitivity
- Single Neodymium magnet assembly
- Aluminum demodulating ring for very low distortion



12CLX64

Coaxials- 12.0 Inches



SPECIFICATIONS

| | |
|-------------------------------|--------------------------|
| Nominal Diameter | 320 mm (12.0 in) |
| Nominal Impedance | 8 Ω |
| Minimum Impedance LF | 6.6 Ω |
| Minimum Impedance HF | 7.8 Ω |
| Frequency Range | 54 - 18000 Hz |
| Dispersion Angle ¹ | 60 ° |
| Woofers Cone Treatment | WP Waterproof Front Side |
| Magnet Material | Neodymium Ring |

PARAMETERS

| | |
|---------------------|--|
| Resonance Frequency | 54 Hz |
| Re | 5.6 Ω |
| Qes | 0.61 |
| Qms | 10.1 |
| Qts | 0.57 |
| Vas | 74.0 dm ³ (2.61 ft ³) |
| Sd | 522.0 cm ² (80.91 in ²) |
| η _o | 1.82 % |
| X _{max} | 5.3 mm |
| X _{var} | 5.5 mm |
| M _{ms} | 45.3 g |
| Bl | 11.86 Txm |
| Le | 0.54 mH |
| EBP | 88 Hz |

SPECIFICATIONS LF UNIT

| | |
|---|-------------------|
| LF Sensitivity ² | 96.2 dB |
| LF Nominal Power Handling ³ | 250 W |
| LF Continuous Power Handling ⁴ | 500 W |
| LF Voice Coil Diameter | 64 mm (2.5 in) |
| LF Winding Material | Copper |
| LF Flux Density | 0.87 T |
| Former Material | Kapton |
| Winding Depth | 14.5 mm (0.57 in) |
| Magnetic Gap Depth | 8.0 mm (0.31 in) |

MOUNTING AND SHIPPING INFO

| | |
|-----------------------------|--------------------------------------|
| Overall Diameter | 313 mm (12.32 in) |
| Bolt Circle Diameter | 298 mm (11.73 in) |
| Baffle Cutout Diameter | 282 mm (11.1 in) |
| Depth | 164 mm (6.46 in) |
| Flange and Gasket Thickness | 9 mm (0.35 in) |
| Net Weight | 3.3 kg (7.28 lb) |
| Shipping Units | 1 |
| Shipping Weight | 4.6 kg (10.14 lb) |
| Shipping Box | 425x425x224 mm (16.73x16.73x8.82 in) |

SPECIFICATIONS HF UNIT

| | |
|---|----------------|
| Sensitivity ⁵ | 106.0 dB |
| Nominal Power Handling ⁶ | 70 W |
| HF Continuous Power Handling ⁷ | 140 W |
| HF Voice Coil Diameter | 51 mm (2.0 in) |
| Winding Material | Aluminum |
| Flux Density | 1.59 T |
| Diaphragm Material | HT Polymer |
| Recommended Crossover ⁸ | 1.2 kHz |
| Inductance | 0.14 mH |

SERVICE KIT

| | |
|-----------------------|-------------|
| Service Kit LF | RCK12CLX648 |
| Replacement diaphragm | MMD5508 |

1. Included by -6 dB down points.
2. Applied RMS Voltage is set to 2.83V.
3. 2 hours test made with continuous pink noise signal within the range Fs-10Fs. Power calculated on rated minimum impedance. Loudspeaker in free air.
4. Power on Continuous Program is defined as 3 dB greater than the Nominal rating.
5. Applied RMS Voltage is set to 2.83V.
6. 2 hour test made with continuous pink noise signal within the range from the recommended crossover frequency to 20 kHz. Power calculated on rated minimum impedance. Loudspeaker in free air.
7. Power on Continuous Program is defined as 3 dB greater than the Nominal rating.
8. 12 dB/oct. or higher slope high-pass filter.

B&C Speakers s.p.a.

Via Poggiomoro, 1 - Loc. Vallina, 50012 Bagno a Ripoli (FI) - ITALY - Tel. +39 055 65721 - Fax +39 055 6572312 - mail@bcspeakers.com