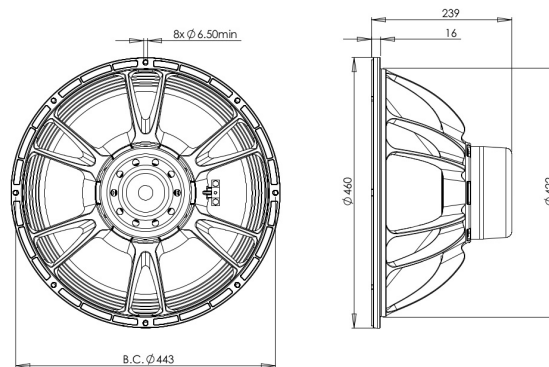


18DS100

8Ω**LF Drivers - 18.0 Inches**

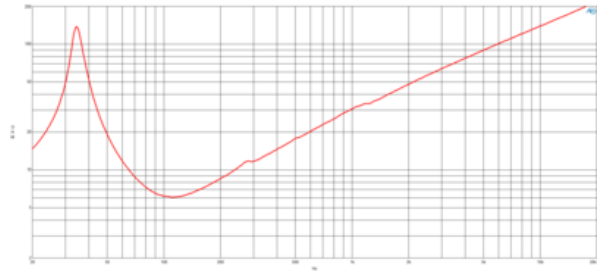
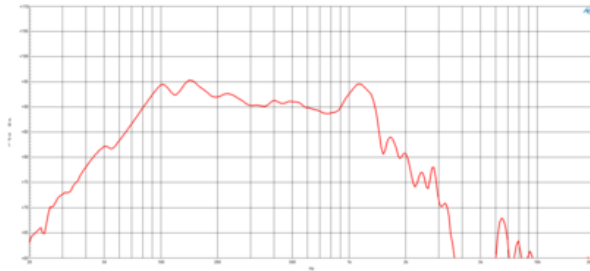
- 3000 W continuous program power capacity
- 100 mm (4 in) copper voice coil
- 34 - 1000 Hz response
- 97.5 dB sensitivity
- Double silicone spider with optimized compliance
- Ventilated voice coil gap for reduced power compression
- Aluminium demodulating ring for very low distortion



This next evolution subwoofer uses a new, longer, four layer aluminum voice coil. The result is less heat, more energy in the gap, higher sensitivity, higher power handling, lower distortion and better overall performance. The 18DS100 features a 34mm long, 4 inch diameter (100mm) Copper Clad Aluminum Wire voice coil. With a 1500watt AES power rating, 97.5 dB sensitivity, and over 14.0mm of Xvar, this high energy subwoofer is a significant step forward from similar models in the B&C range.

18DS100

LF Drivers- 18.0 Inches



SPECIFICATIONS

| | |
|--|-------------------|
| Nominal Diameter | 460 mm (18.0 in) |
| Nominal Impedance | 8 Ω |
| Minimum Impedance | 6.1 Ω |
| Nominal Power Handling ¹ | 1500 W |
| Continuous Power Handling ² | 3000 W |
| Sensitivity ³ | 97.5 dB |
| Frequency Range | 34 - 1000 Hz |
| Voice Coil Diameter | 100 mm (4.0 in) |
| Winding Material | Aluminium |
| Former Material | Glass Fibre |
| Winding Depth | 37.0 mm (1.46 in) |
| Magnetic Gap Depth | 16.0 mm (0.63 in) |
| Flux Density | 0.7 T |

DESIGN

| | |
|-----------------------|---|
| Surround Shape | Triple Roll |
| Cone Shape | Radial |
| Magnet Material | Neodymium Inside Slug |
| Spider | Double Silicone |
| Pole Design | T-Pole |
| Woofer Cone Treatment | TWP Waterproof Both Sides |
| Recommended Enclosure | 200.0 dm ³ (7.06 ft ³) |
| Recommended Tuning | 35 Hz |

PARAMETERS⁴

| | |
|---------------------|--|
| Resonance Frequency | 34 Hz |
| Re | 4.5 Ω |
| Qes | 0.3 |
| Qms | 9.5 |
| Qts | 0.29 |
| Vas | 155.0 dm ³ (5.47 ft ³) |
| Sd | 1210.0 cm ² (187.55 in ²) |
| η_0 | 2.1 % |
| Xmax | 14.5 mm |
| Xvar | 14.0 mm |
| Mms | 278.0 g |
| Bl | 30.0 Txm |
| Le | 4.4 mH |
| EBP | 113 Hz |

MOUNTING AND SHIPPING INFO

| | |
|-------------------------------|--|
| Overall Diameter | 460 mm (18.11 in) |
| Bolt Circle Diameter | 443 mm (17.44 in) |
| Baffle Cutout Diameter | 422.0 mm (16.61 in) |
| Depth | 239 mm (9.41 in) |
| Flange and Gasket Thickness | 16 mm (0.63 in) |
| Air Volume Occupied by Driver | 10.0 dm ³ (0.35 ft ³) |
| Net Weight | 10.5 kg (23.15 lb) |
| Shipping Units | 1 |
| Shipping Weight | 12.3 kg (27.12 lb) |
| Shipping Box | 500x500x300 mm (19.69x19.69x11.81 in) |

SERVICE KIT

RCK18DS1008

1. 2 hours test made with continuous pink noise signal within the range Fs-10Fs. Power calculated on rated minimum impedance. Loudspeaker in free air.
2. Power on Continuous Program is defined as 3 dB greater than the Nominal rating.
3. Applied RMS Voltage is set to 2.83 V for 8 ohms Nominal Impedance.
4. Thiele-Small parameters are measured after a high level 20 Hz sine wave preconditioning test.