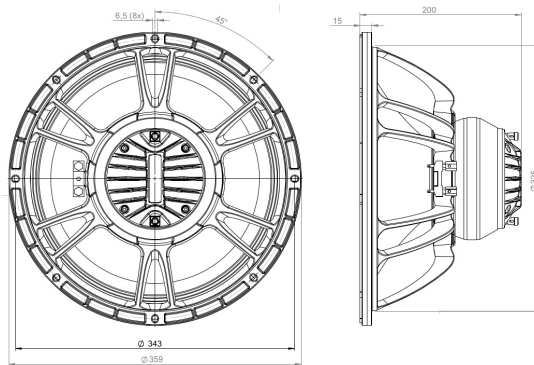


14CXN88

4Ω**Coaxials - 14.0 Inches**

- 1000 W continuous program power capacity
- 80° nominal coverage
- 45 - 18000 Hz response
- 99 dB sensitivity
- Single Neodymium magnet assembly
- Aluminium demodulating ring allows a very low distortion figure
- Double silicone spider with optimized compliance

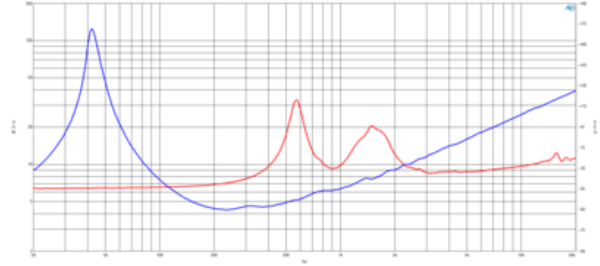
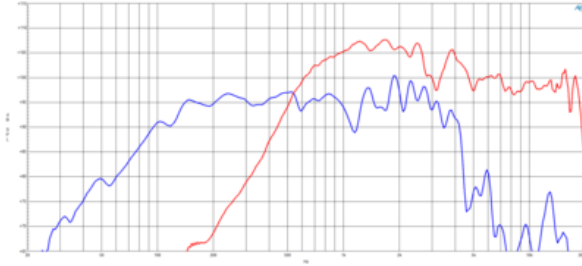


Description

New to the large format coaxial family is the 14CXN88. Like the 12CXN88 and 15CXN88, that were introduced in the spring of 2017, this new 14" addition features an 88mm voice coil woofer and 75mm diaphragm high frequency driver. This motor combination offers an excellent balance between HF and LF output. As a practical compromise between our 12-inch and 15-inch alternatives, the 14CXN88 coaxial (which is actually 13.5-inches in diameter) offers better low frequency output than a 12-inch coaxial, but more balanced midrange performance than a 15-inch coaxial.

14CXN88

Coaxials- 14.0 Inches



SPECIFICATIONS

| | |
|-------------------------------|--------------------------|
| Nominal Diameter | 359 mm (14.0 in) |
| Nominal Impedance | 4 Ω |
| Minimum Impedance LF | 4.3 Ω |
| Minimum Impedance HF | 8.8 Ω |
| Frequency Range | 45 - 18000 Hz |
| Dispersion Angle ¹ | 80 ° |
| Woofer Cone Treatment | WP Waterproof Front Side |
| Magnet Material | Neodymium Ring |

SPECIFICATIONS LF UNIT

| | |
|---|-------------------|
| LF Sensitivity ² | 99.0 dB |
| LF Nominal Power Handling ³ | 500 W |
| LF Continuous Power Handling ⁴ | 1000 W |
| LF Voice Coil Diameter | 88 mm (3.5 in) |
| LF Winding Material | Aluminium |
| LF Flux Density | 1.05 T |
| Former Material | Glass Fibre |
| Winding Depth | 22.0 mm (0.87 in) |
| Magnetic Gap Depth | 10.0 mm (0.39 in) |

SPECIFICATIONS HF UNIT

| | |
|---|----------------|
| HF Sensitivity ⁵ | 103.0 dB |
| HF Nominal Power Handling ⁶ | 80 W |
| HF Continuous Power Handling ⁷ | 160 W |
| HF Voice Coil Diameter | 75 mm (3.0 in) |
| HF Winding Material | Aluminium |
| HF Flux Density | 1.75 T |
| Diaphragm Material | Titanium |
| Recommended Crossover ⁸ | 1.2 kHz |
| Inductance | 0.14 mH |

PARAMETERS

| | |
|---------------------|---|
| Resonance Frequency | 44 Hz |
| Re | 3.2 Ω |
| Qes | 0.26 |
| Qms | 15.0 |
| Qts | 0.25 |
| Vas | 116.0 dm ³ (4.1 ft ³) |
| Sd | 707.0 cm ² (109.59 in ²) |
| η _o | 3.8 % |
| X _{max} | 8.5 mm |
| X _{var} | 9.0 mm |
| M _{ms} | 78.5 g |
| Bl | 16.6 Txm |
| Le | 0.72 mH |
| EBP | 169 Hz |

MOUNTING AND SHIPPING INFO

| | |
|-----------------------------|---------------------------------------|
| Overall Diameter | 359 mm (14.13 in) |
| Bolt Circle Diameter | 343 mm (323.0 in) |
| Baffle Cutout Diameter | 326 mm (12.83 in) |
| Depth | 200 mm (7.87 in) |
| Flange and Gasket Thickness | 15 mm (0.59 in) |
| Net Weight | 7.3 kg (16.09 lb) |
| Shipping Units | 1 |
| Shipping Weight | 8.9 kg (19.62 lb) |
| Shipping Box | 500x495x275 mm (19.69x19.49x10.83 in) |

SERVICE KIT

| | |
|-----------------------|-------------|
| Service Kit LF | RCK14CXN884 |
| Replacement diaphragm | MMD3DTN8M |

1. Included by -6 dB down points.
2. Applied RMS Voltage is set to 2 V
3. 2 hours test made with continuous pink noise signal (6 dB crest factor) within the range Fs-10Fs. Power calculated on rated minimum impedance. Loudspeaker in free air.
4. Power on Continuous Program is defined as 3 dB greater than the Nominal rating.
5. Applied RMS Voltage is set to 2 V
6. 2 hour test made with continuous pink noise signal (6 dB crest factor) within the range from the recommended crossover frequency to 20 kHz. Power calculated on rated minimum impedance. Loudspeaker in free air.
7. Power on Continuous Program is defined as 3 dB greater than the Nominal rating.
8. 12 dB/oct. or higher slope high-pass filter.

B&C Speakers s.p.a.

Via Poggiomoro, 1 - Loc. Vallina, 50012 Bagno a Ripoli (FI) - ITALY - Tel. +39 055 65721 - Fax +39 055 6572312 - mail@bcspeakers.com