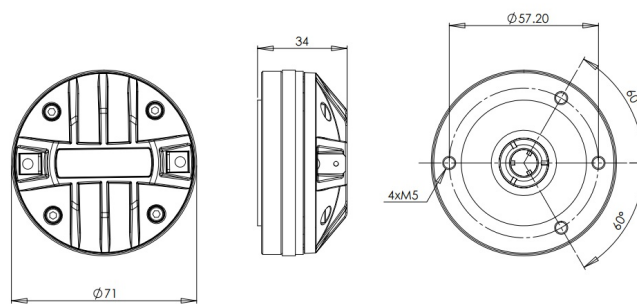
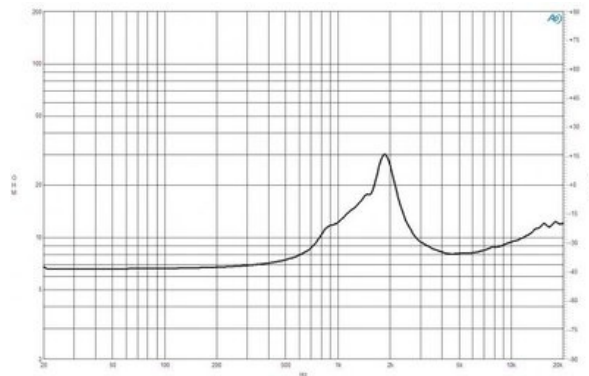
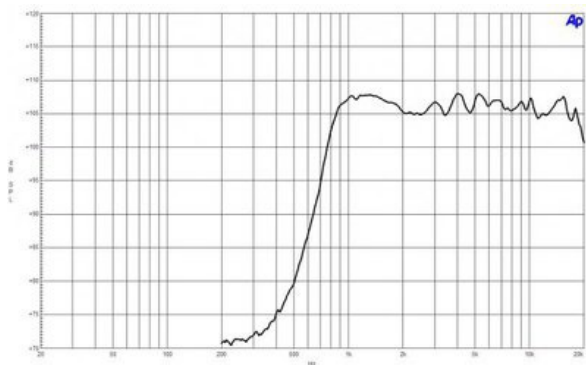


DE120

8Ω**HF Drivers - 1.0 Inches**

- 40 W continuous program power capacity
- 1" horn throat diameter
- 36 mm (1.4 in) aluminium voice coil
- Mylar diaphragm
- 1500 - 18000 Hz response
- 106 dB sensitivity



SPECIFICATIONS¹

Throat Diameter	25 mm (1.0 in)
Nominal Impedance	8 Ω
Minimum Impedance	8.0 Ω
Nominal Power Handling ²	20 W
Continuous Power Handling ³	40 W
Sensitivity ⁴	106.0 dB
Frequency Range	2.0 - 18.0 kHz
Recommended Crossover ⁵	2.0 kHz
Voice Coil Diameter	36 mm (1.4 in)
Winding Material	Aluminium
Inductance	0.14 mH
Diaphragm Material	Mylar
Flux Density	1.9 T
Magnet Material	Neodymium Ring

MOUNTING AND SHIPPING INFO

Three M5 holes 120° on 57 mm (2.2 in) diameter	
Two M5 holes 180° on 57 mm (2.2 in) diameter	
Overall Diameter	71 mm (2.8 in)
Depth	34 mm (1.34 in)
Net Weight	0.45 kg (1.0 lb)
Shipping Units	8
Shipping Weight	4.25 kg (9.37 lb)
Shipping Box	235x235x165 mm (9.25x9.25x6.50 in)

REPLACEMENT DIAPHRAGM

MMDDE1208

1. Driver mounted on B&C ME 45 horn.
2. 2 hour test made with continuous pink noise signal (6 dB crest factor) within the range from the recommended crossover frequency to 20 kHz. Power calculated on rated minimum impedance.
3. Power on Continuous Program is defined as 3 dB greater than the Nominal rating.
4. Applied RMS Voltage is set to 2.83 V for 8 ohms Nominal Impedance.
5. 12 dB/oct. or higher slope high-pass filter.