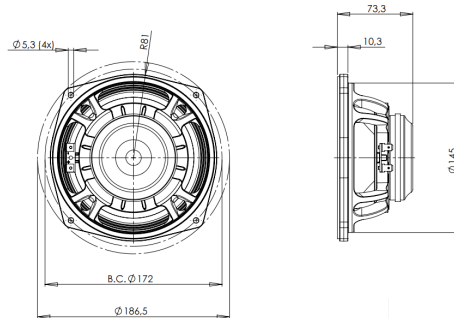


6MDN44

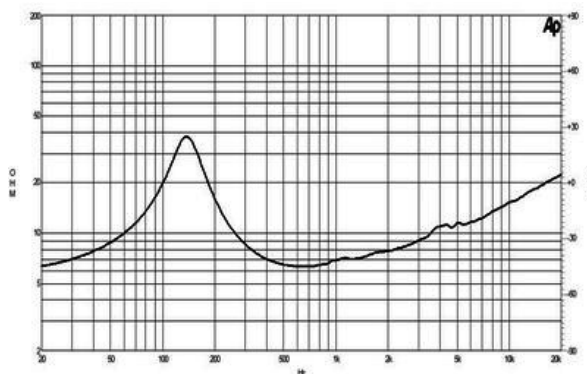
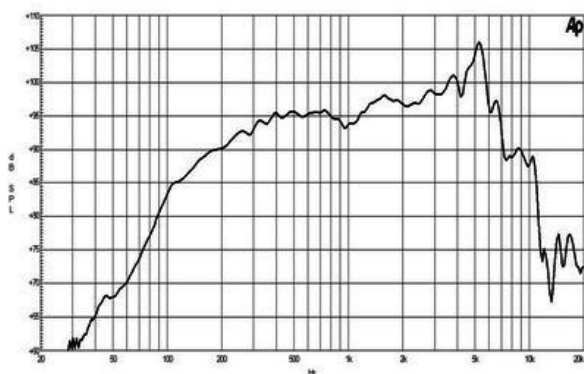
8Ω**LF Drivers - 6.5 Inches**

- 400 W continuous program power capacity
- 44 mm (1.7 in) aluminium voice coil
- 150 - 6000 Hz response
- 96.5 dB sensitivity
- Neodymium magnet allows a very light yet powerful motor assembly



6MDN44

LF Drivers- 6.5 Inches



SPECIFICATIONS

Nominal Diameter	170 mm (6.5 in)
Nominal Impedance	8 Ω
Minimum Impedance	6.5 Ω
Nominal Power Handling ¹	200 W
Continuous Power Handling ²	400 W
Sensitivity ³	96.5 dB
Frequency Range	150 - 6000 Hz
Voice Coil Diameter	44 mm (1.7 in)
Winding Material	Aluminium
Former Material	Glass Fibre
Winding Depth	10 mm (0.37 in)
Magnetic Gap Depth	6 mm (0.25 in)
Flux Density	1.45 T

DESIGN

Surround Shape	Triple Roll
Cone Shape	Exponential
Magnet Material	Neodymium Ring
Spider	Single
Pole Design	T-Pole
Woofer Cone Treatment	WP Waterproof Front Side

PARAMETERS⁴

Resonance Frequency	140 Hz
Re	5.4 Ω
Qes	0.46
Qms	2.8
Qts	0.4
Vas	2.7 dm ³ (0.09 ft ³)
Sd	132.0 cm ² (20.5 in ²)
η _o	1.6 %
X _{max}	2.5 mm
X _{var}	3.0 mm
M _{ms}	11 g
Bl	11.0 Txm
Le	0.47 mH
EBP	304 Hz

MOUNTING AND SHIPPING INFO

Overall Diameter	187 mm (7.4 in)
Bolt Circle Diameter	172 mm (6.7 in)
Baffle Cutout Diameter	145.0 mm (5.7 in)
Depth	73 mm (2.9 in)
Flange and Gasket Thickness	11 mm (0.4 in)
Air Volume Occupied by Driver	0.6 dm ³ (0.02 ft ³)
Net Weight	1.0 kg (1.2 lb)
Shipping Units	1
Shipping Weight	1.25 kg (2.75 lb)
Shipping Box	221x214x130 mm (8.7x8.4x5.1 in)

SERVICE KIT

RCK06MDN448

- 2 hours test made with continuous pink noise signal (6 dB crest factor) within the range Fs-10Fs. Power calculated on rated minimum impedance. Loudspeaker in free air.
- Power on Continuous Program is defined as 3 dB greater than the Nominal rating.
- Applied RMS Voltage is set to 2.83 V for 8 ohms Nominal Impedance.
- Thiele-Small parameters are measured after a high level 20 Hz sine wave preconditioning test.